

A modern living room with a high ceiling, recessed lighting, and large windows. The room features a light-colored sofa, patterned armchairs, and a dark coffee table. The windows are covered with light-colored roller shades. The room opens up to a balcony with a white railing and blue outdoor furniture. The overall aesthetic is clean and bright.

**PerfectFit**

**Innovations  
IN WINDOW TREATMENT CONCEALMENT**



## Introducing the Motorized Solutions PerfectFit series.

PerfectFit takes a holistic approach to window treatment concealment.

If attention to detail is your pursuit, then PerfectFit is your solution!

PerfectFit is a collection of mud in cavities to fit all project needs.

**Mud-In Pocket Junior** – A 4" × 4" pocket engineered for reduced-diameter shade applications.

**Mud-In Pocket** – A 4.75" × 5" pocket designed for standard and large-diameter shades.

**Mud-In Pocket Max** – A 5.5" × 7.5" pocket engineered for dual-shade applications where installation space is limited.

**Mud-In Pocket Sleeve D100** – A 7" × 11" pocket sized for standard and large dual-shade systems.

**Mud-In Pocket Sleeve** – A fully customizable pocket system, configurable in any depth or width from 5" to 20".

**Mud-In Hanger** – A mud-in hanger and flap system designed for seamless integration with drywall pockets.

**Mud-In Drapery Track Cavity** – Available in both straight and bendable configurations.

**Mud-In Side Channel** – A 2.5" recessed side-channel cavity for clean jamb integration.



The PerfectFit Mud in Solutions for Roller Shades system has been designed to finish the edges of a custom pocket application.

## Typical Results When PerfectFit Cavities Are Not Used



Double metal edge



Uneven gaps from wavy drywall



Corners that are not square and level

## Clean and Beautiful Results When Using PerfectFit Cavities



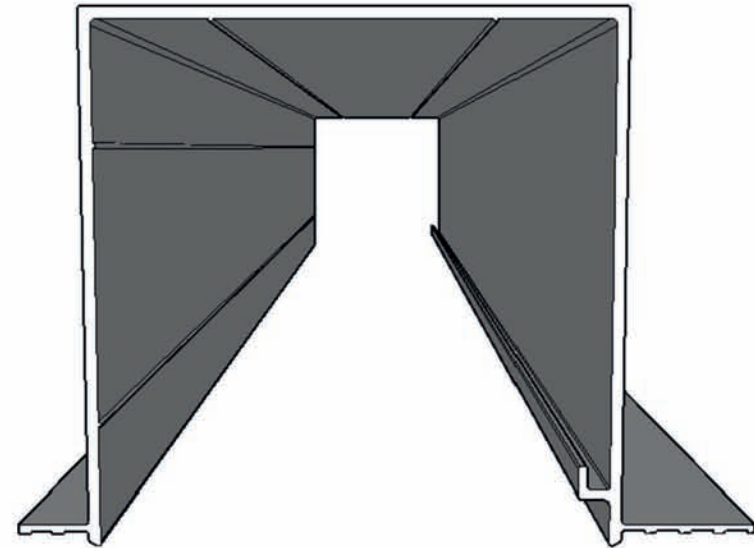
Crisp edges



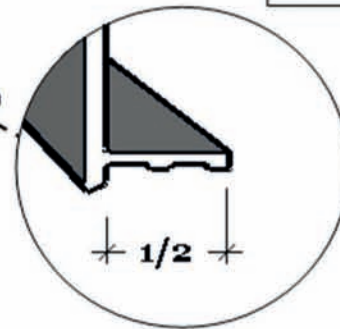
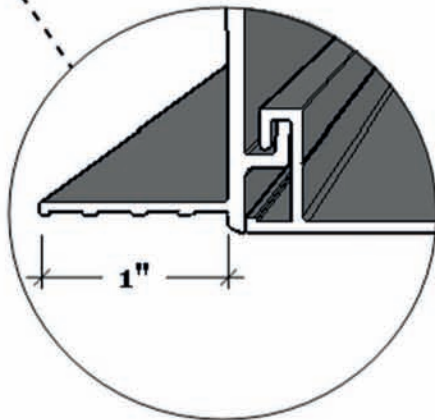
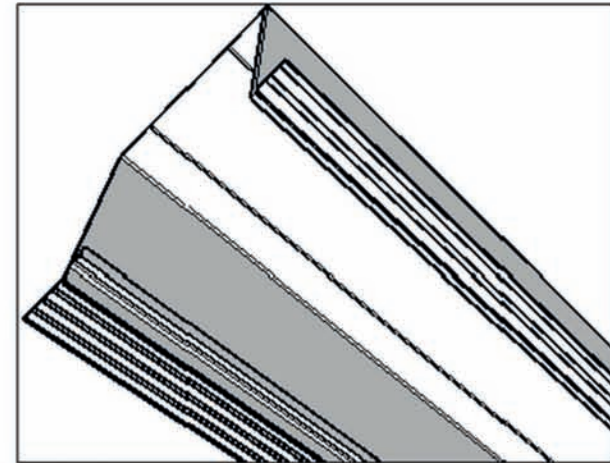
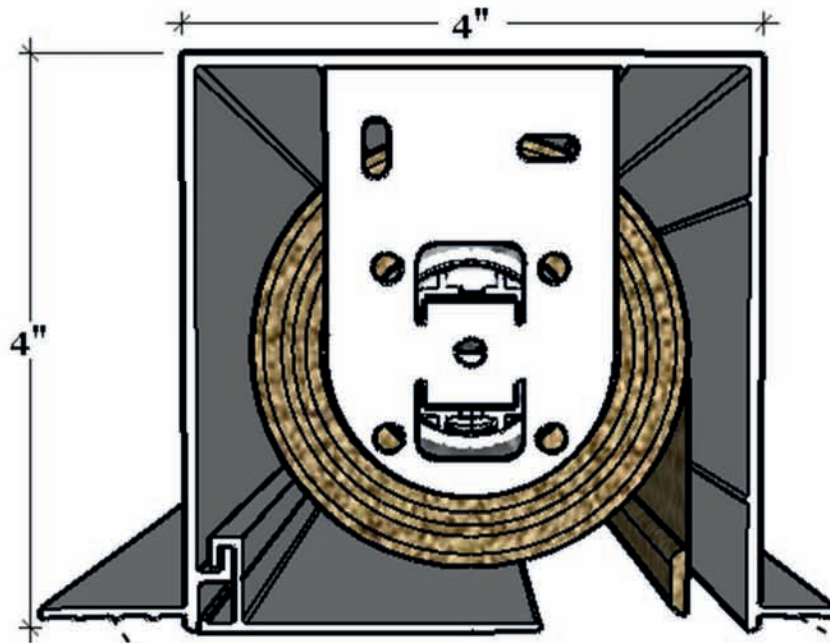
Seamless ceiling lines

## A Simplistic Shade Pocket System

- Integrated flap hanger reduces installation time.
- Integrated bracket centering guides eliminate the need to center the shade in the pocket.
- Mud in end caps complete the fit and finish.
- 90 degree inside and outside corners.

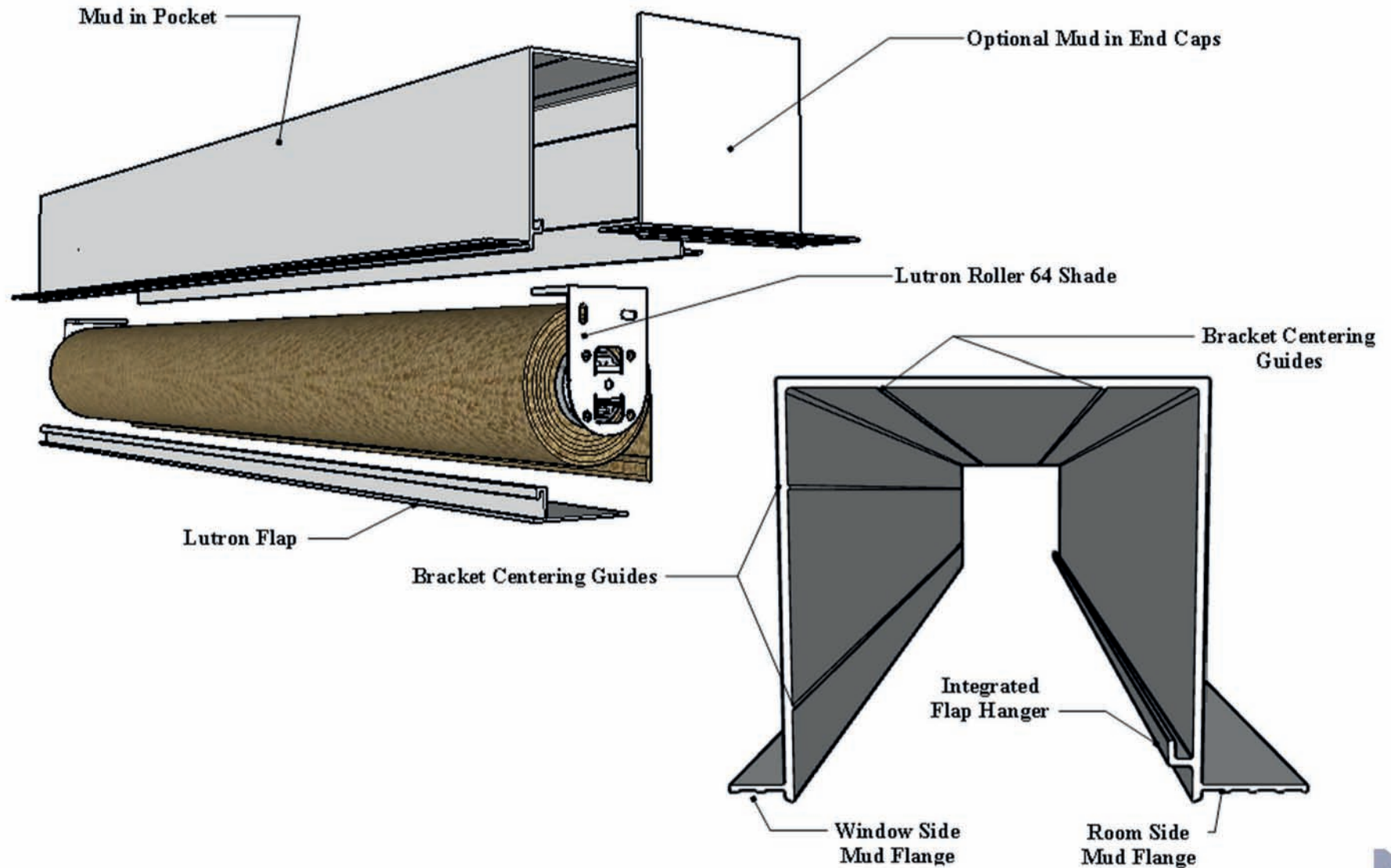


# Mud In Pocket Junior



Maximum Roll Diameter 3.30"

# Mud In Pocket Junior



## Install Shades to Perfection in Minutes

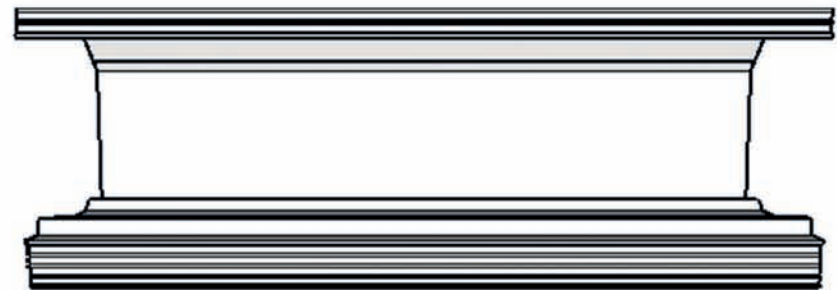
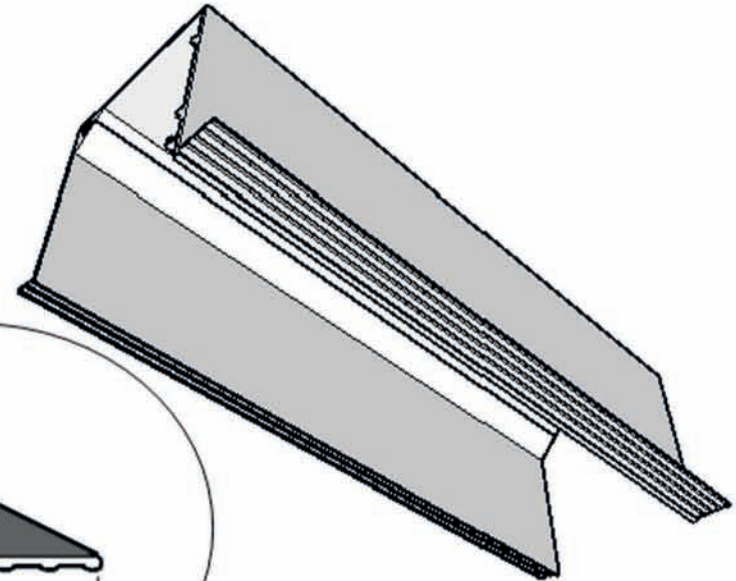
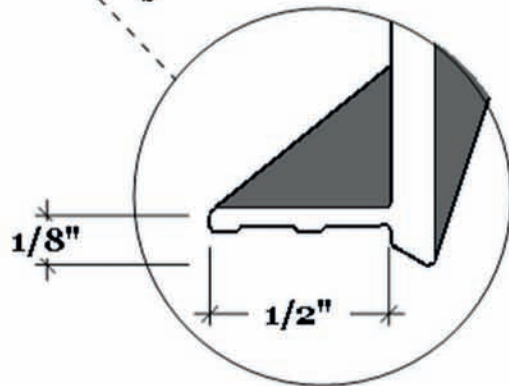
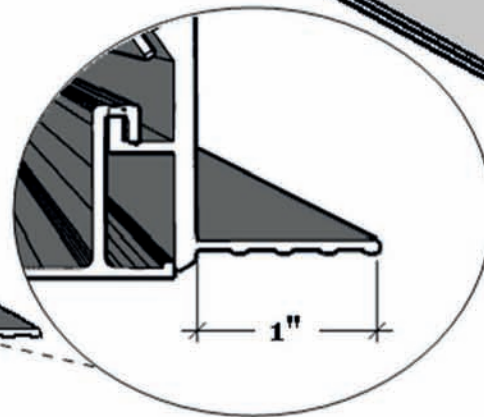
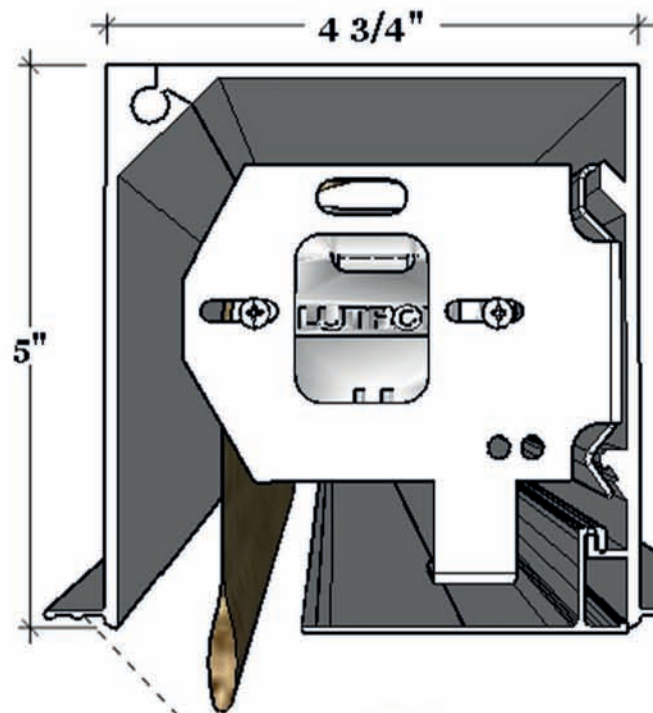
- The integrated bracket eliminates the need to install the shade bracket.
- No leveling of hangers to match ceiling line. The hanger is integrated into the pocket extrusion.
- Mud in Pocket pre-made Inside and Outside corners connect, and are seamless once mud in.
- Mud in End Caps ensure every opening is finished square.

## Easily cut and trim the pocket with a standard miter saw

- Mud in Pocket was designed modular, allowing the pocket to be disassembled so that it can be cut without the need of a large saw.

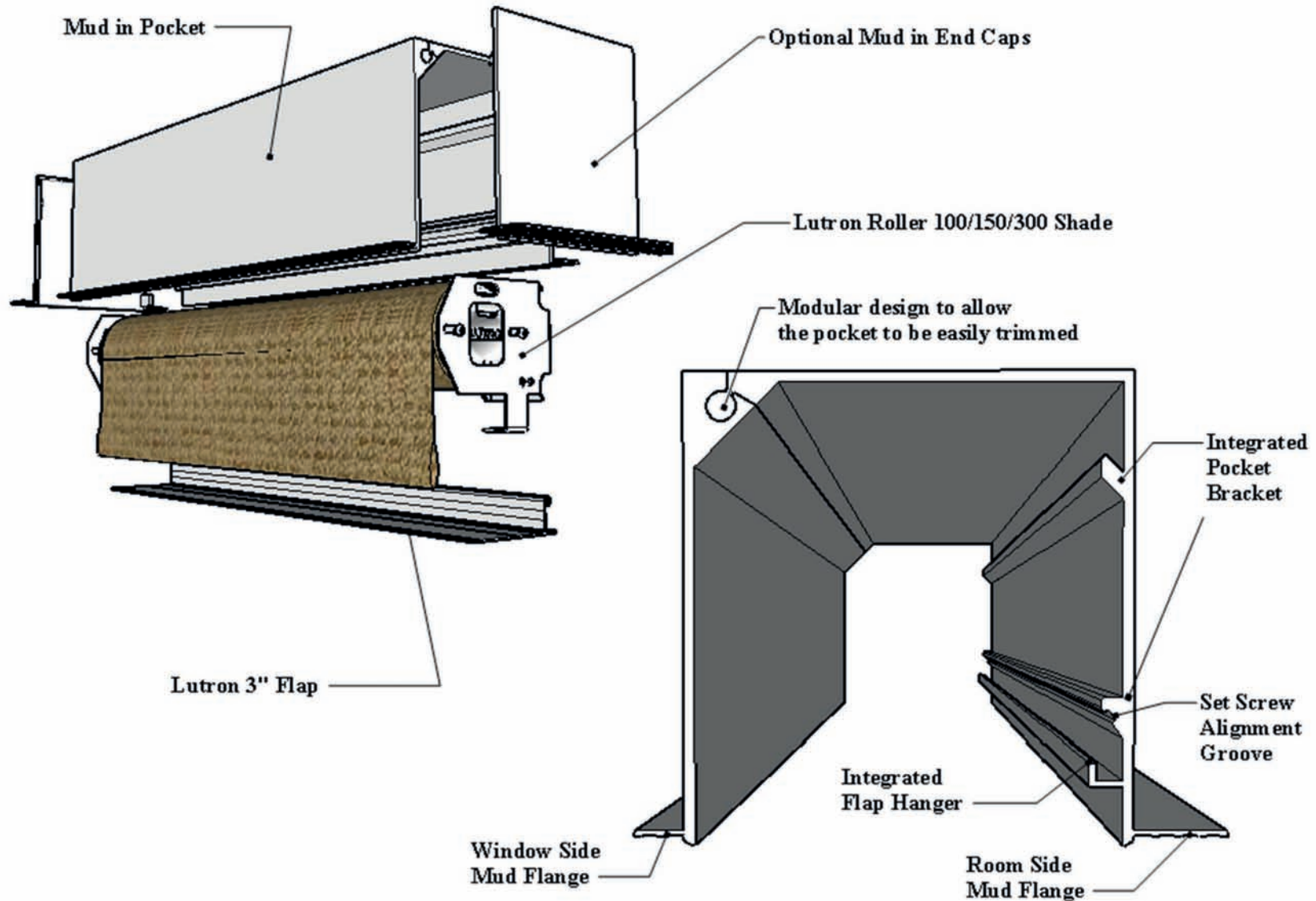


# Mud In Pocket



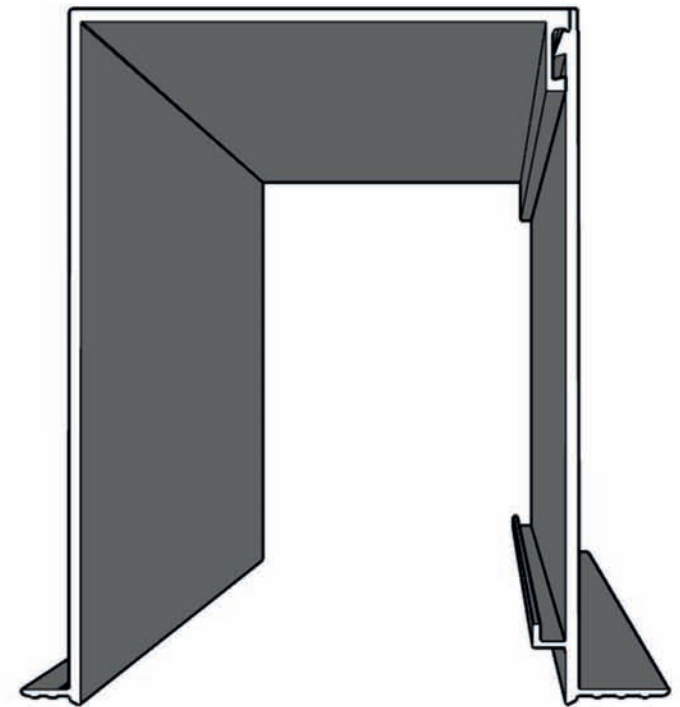
\*Maximum Roll Diameter 3.75"

# Mud In Pocket

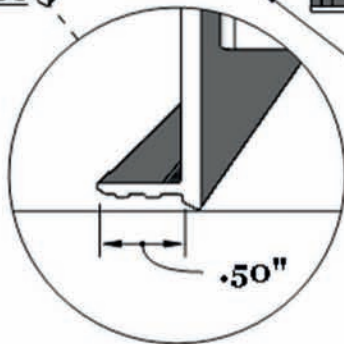
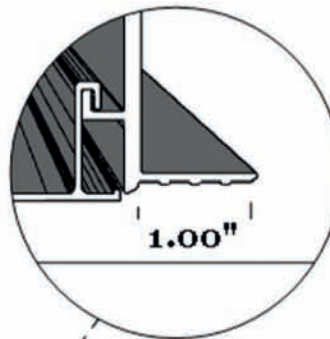
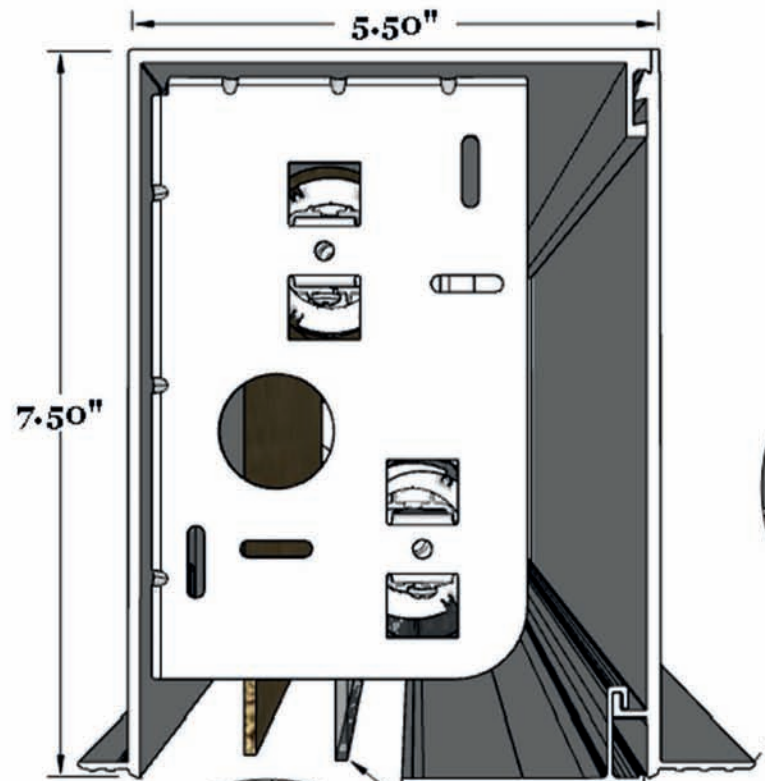


## A Mud in Pocket System For Dual Shades

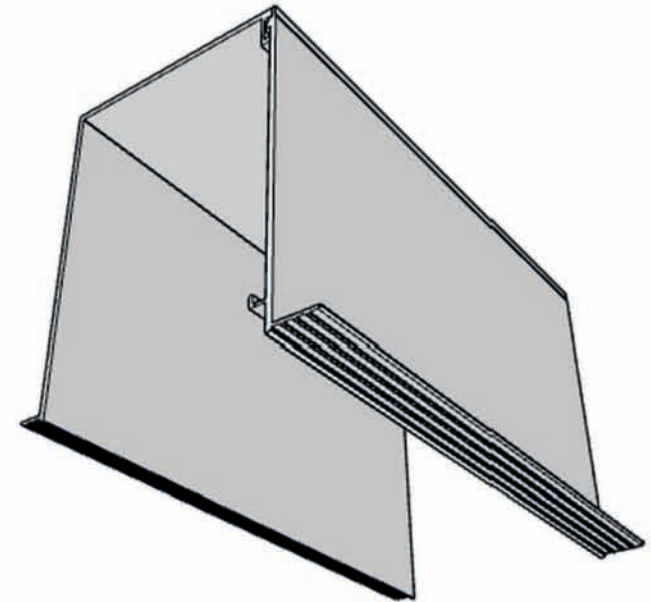
- Integrated flap hanger reduces installation time
- Large Profile For Dual Systems
- Modular Design Allows The Pocket To be Easily Cut
- Mud in end caps



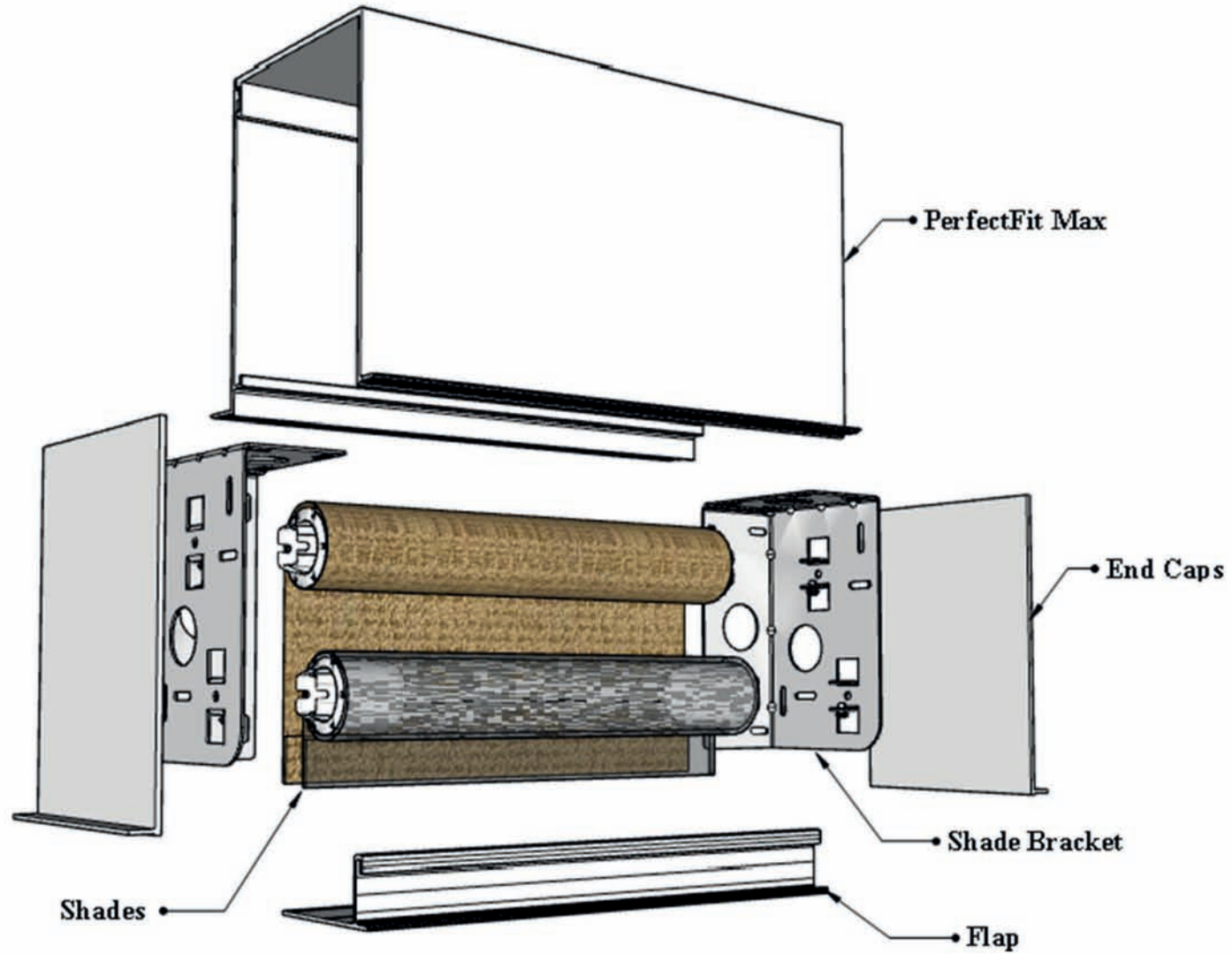
# Mud In Pocket Max



• Dual Roller 64 Shades

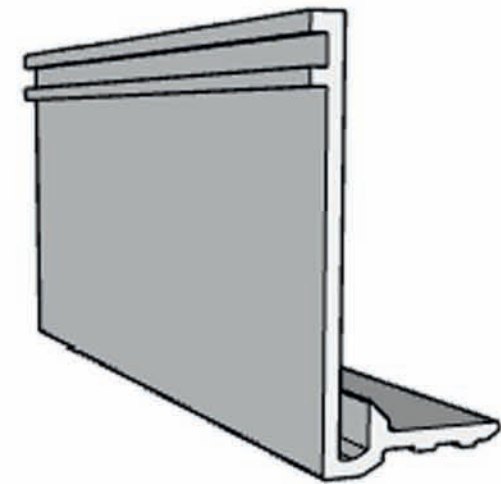
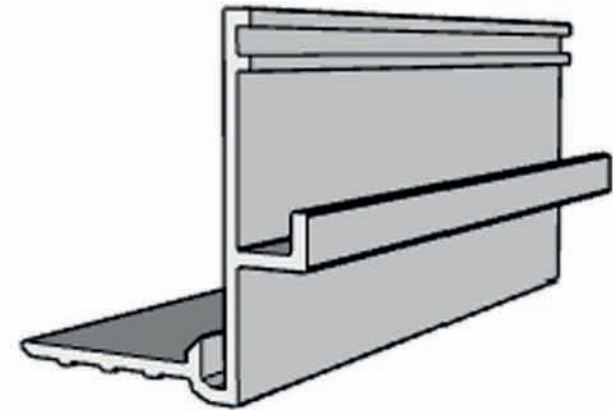


# Mud In Pocket Max

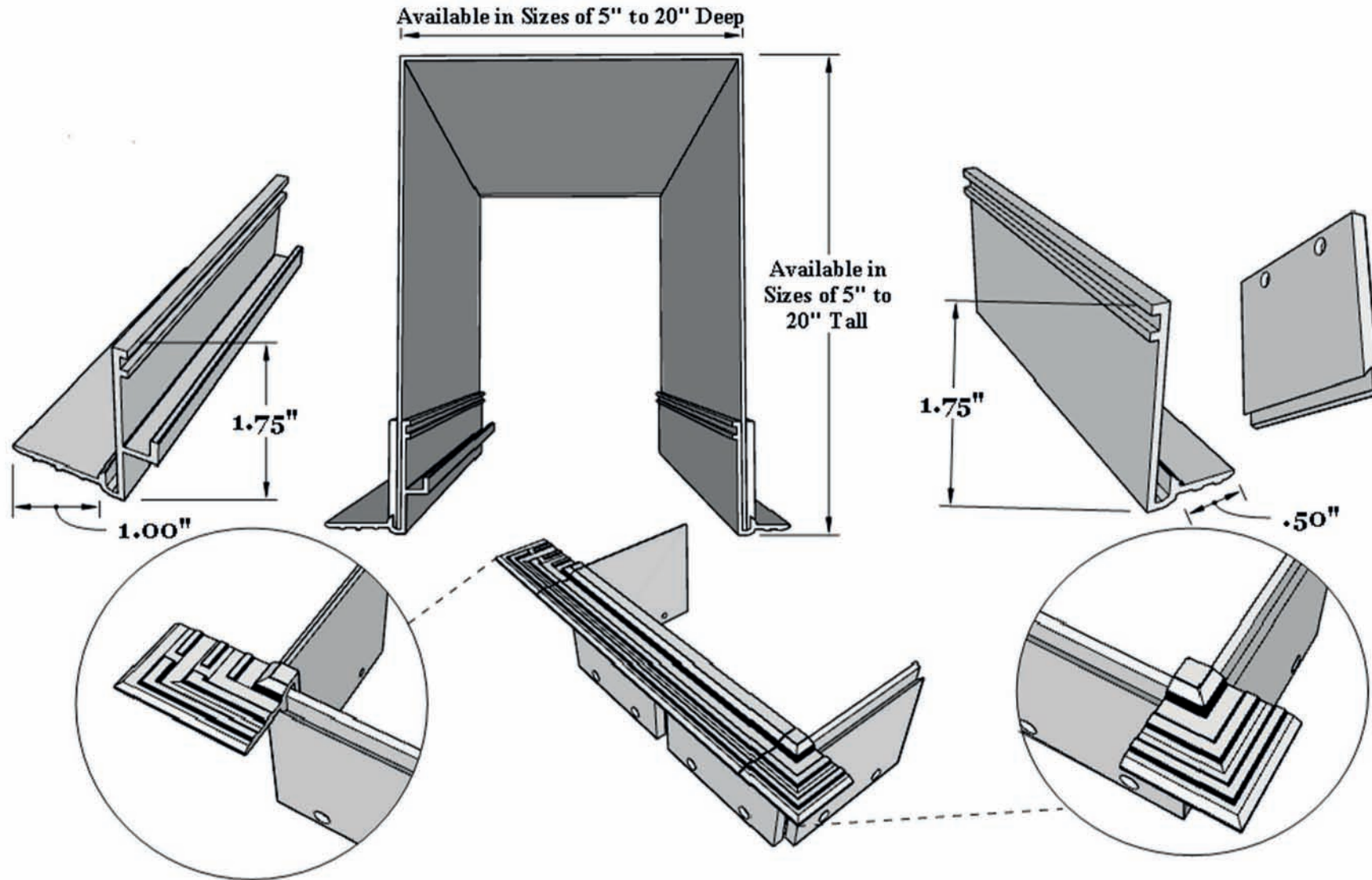


## A Bespoke Versatile Mud in Pocket System

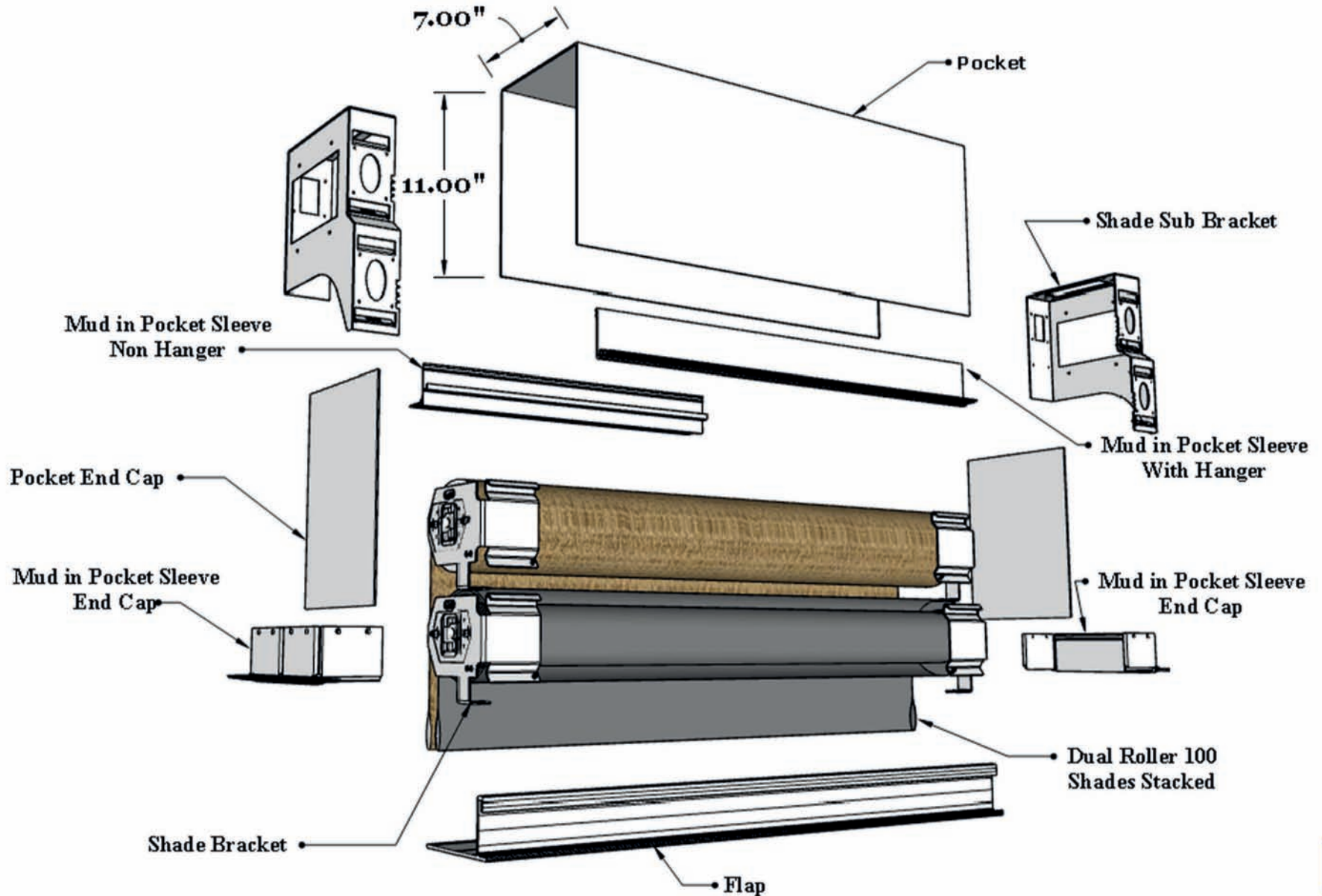
- Integrated flap hanger reduces installation time
- Custom depths from 5" to 20" in 1/16" increments
- Custom heights from 5" to 20" in 1/16" increments
- Custom mud in end caps



# Mud In Pocket Sleeve



# Mud In Pocket Sleeve

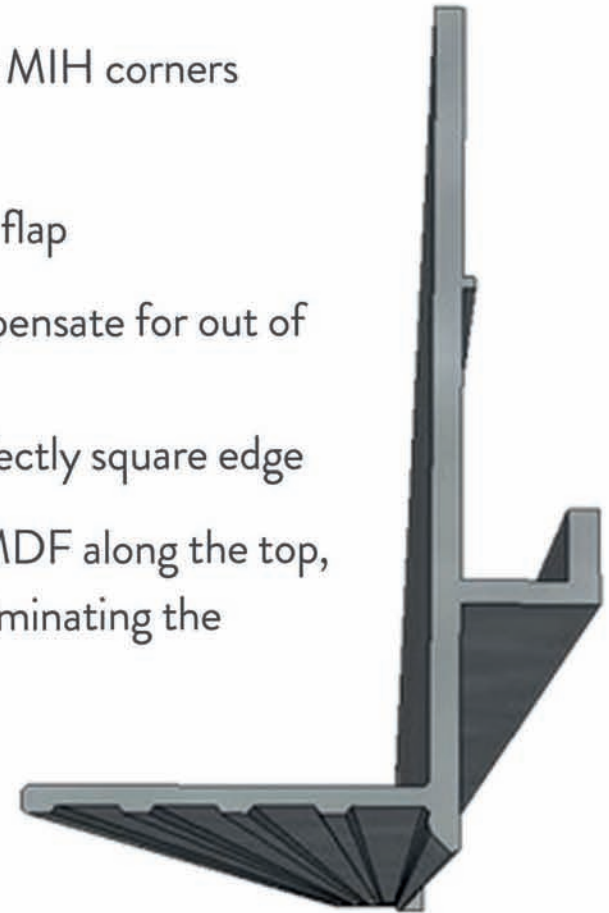


## Reduce Installation Time!

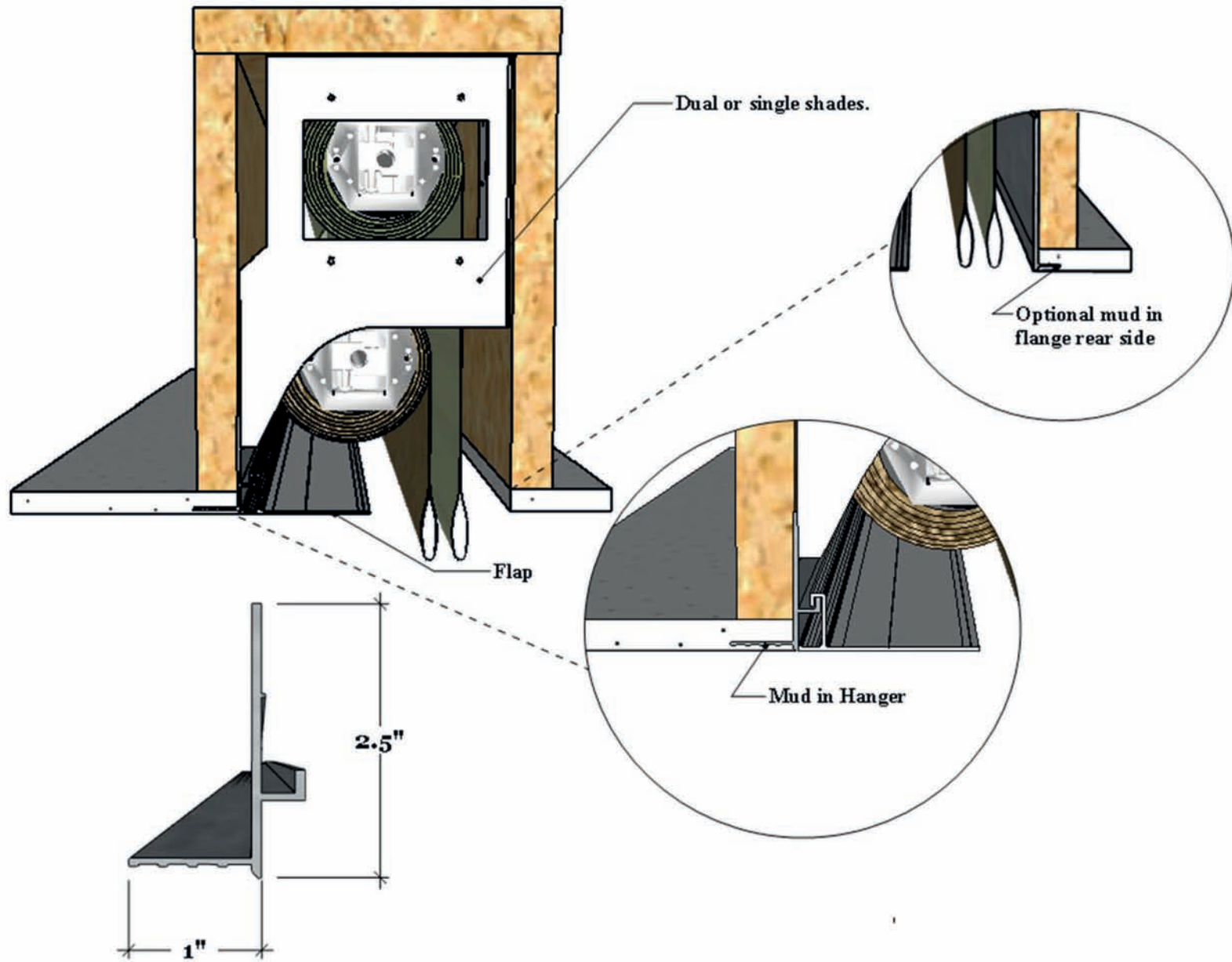
- You are guaranteed to have the proper depth using the PerfectFit MIH corners
- No leveling of hanger
  - The hanger is installed during construction. Simply hook on the flap
- No more mitering or feathering of the flap at the corners to compensate for out of square cavities
  - By using the PerfectFit MIH corner, you are guaranteed a perfectly square edge
- By having the builder construct the cavity with solid plywood or MDF along the top, simple wood screws can be used to anchor the shade brackets, eliminating the possibility of blocking not being in place

## Various sizes available

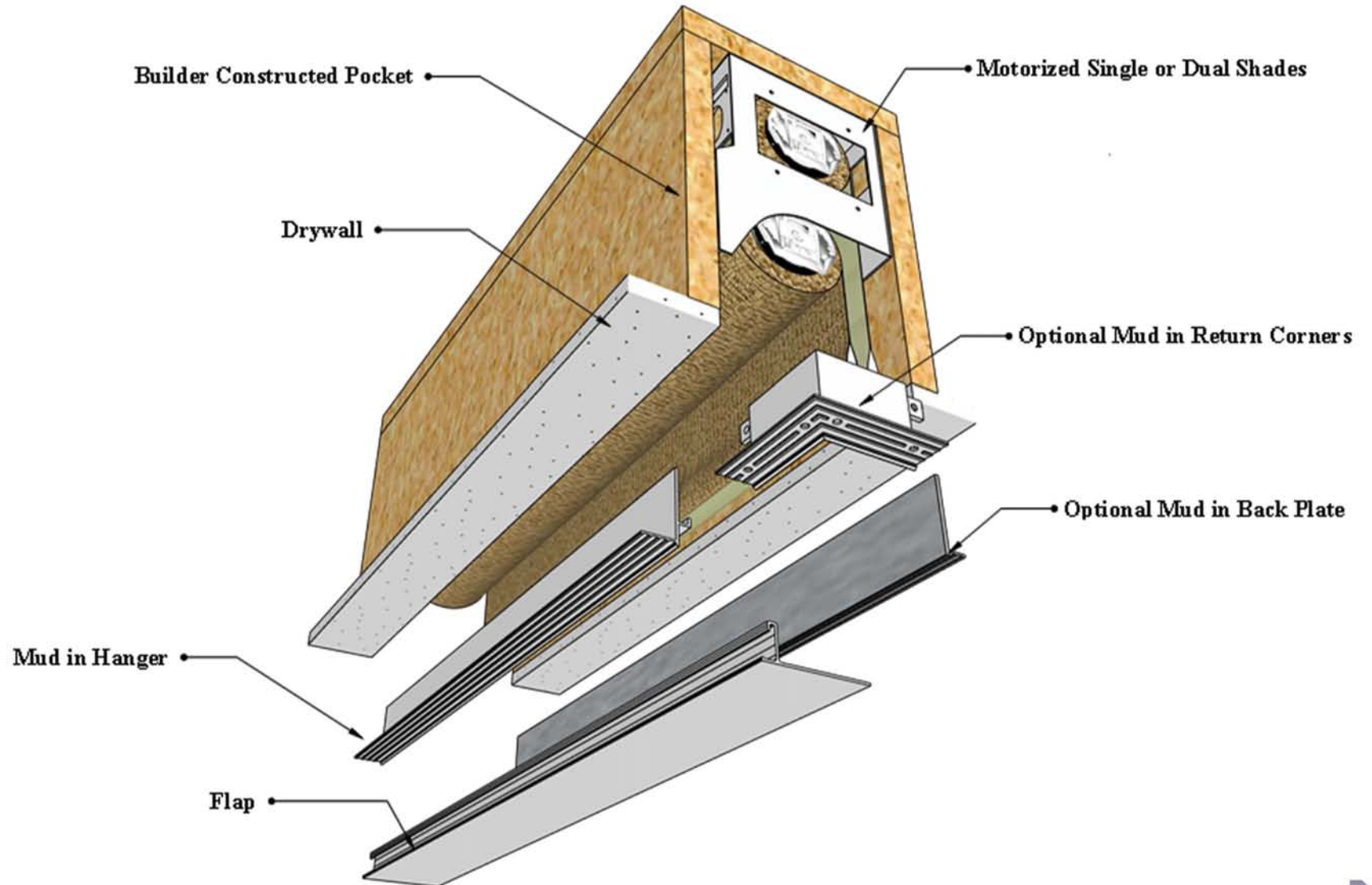
- MIH connects together to seamlessly form any width
- The hanger is designed for Lutron 2", 3", and 5" flap
- The corners are available in 3.5", 4.75", 6", and 7" depths  
*(custom sizes are available upon request)*



# Mud In Hanger



# Mud In Hanger



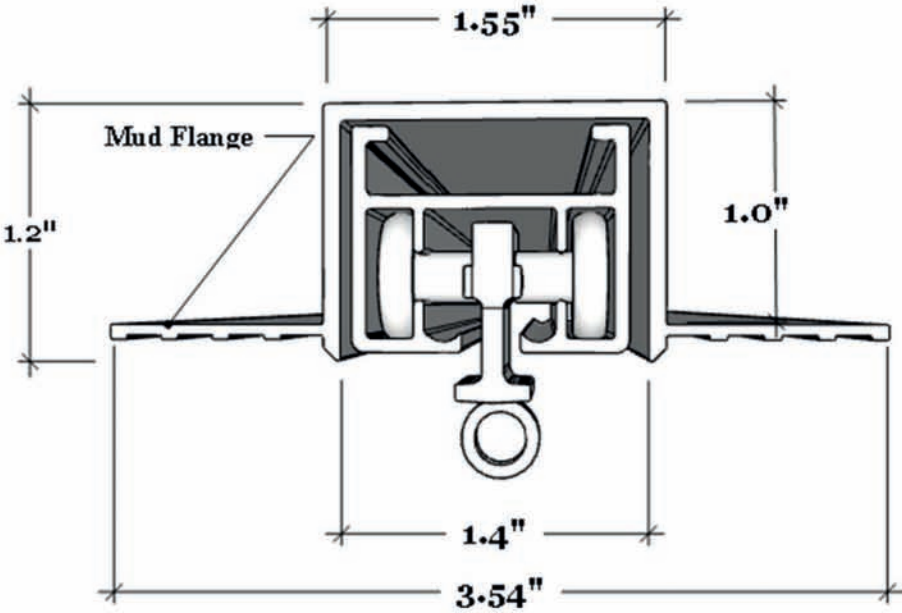
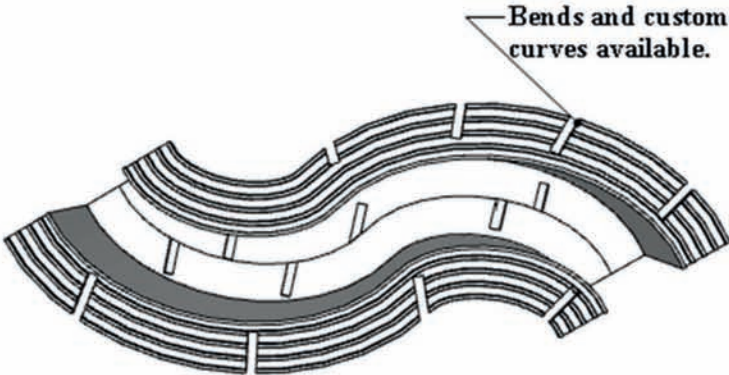
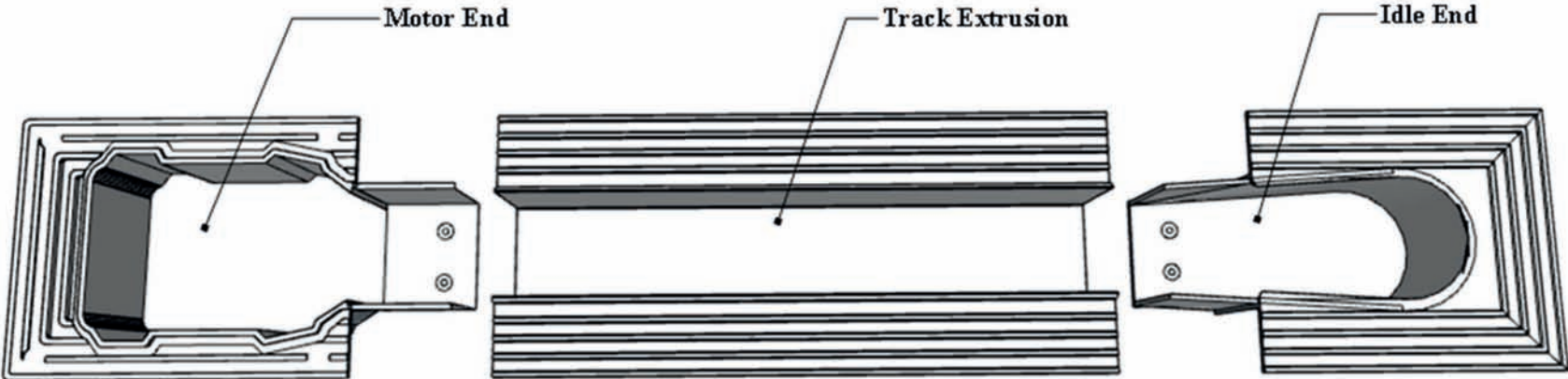
# Recessed Drapery Track Cavity



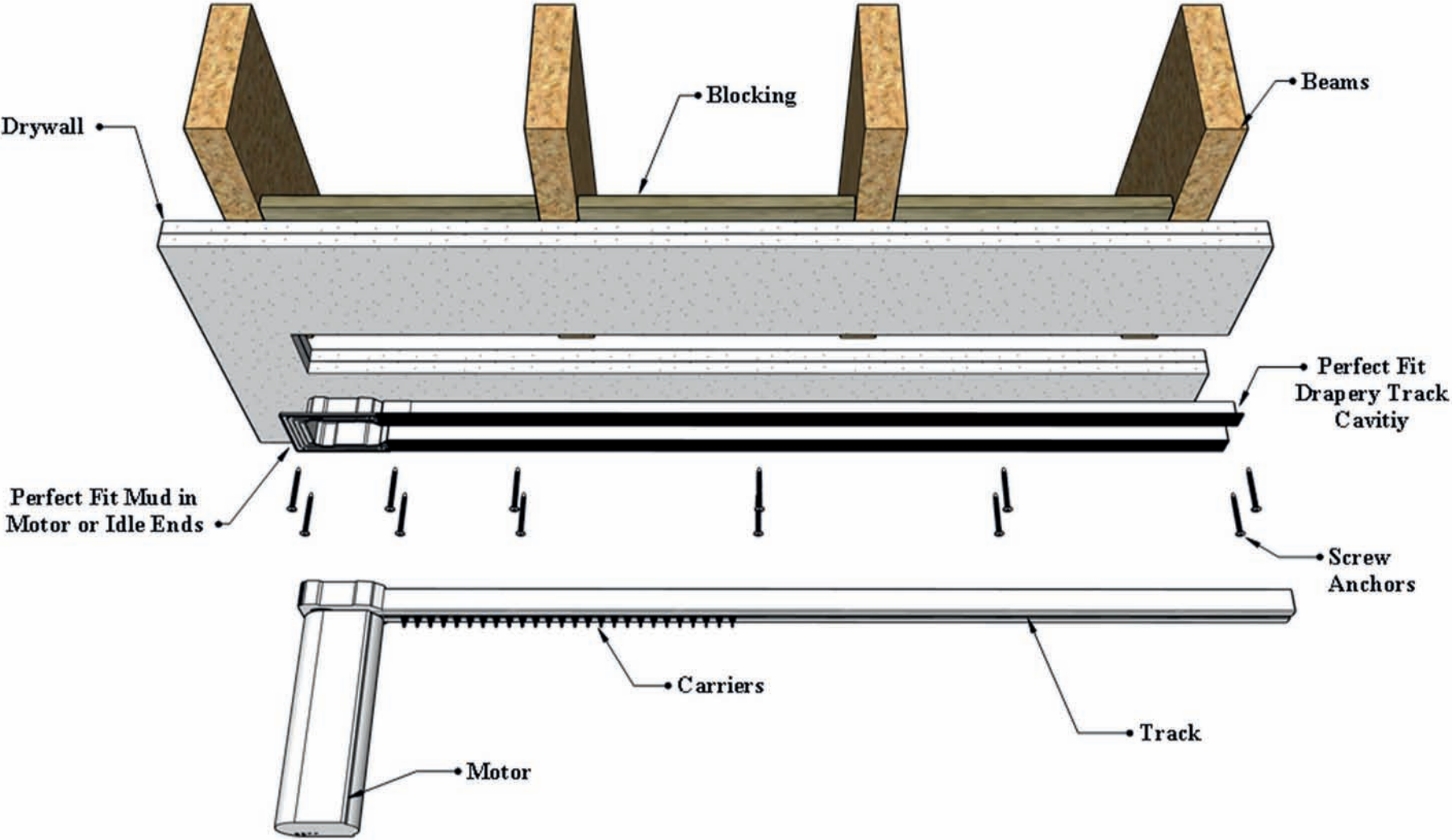
**The PerfectFit recessed Drapery Track Cavity (DTC) system delivers a crisp, seamless ceiling detail, ensuring a refined finish that highlights craftsmanship and attention to every edge.**



# Recessed Drapery Track Cavity

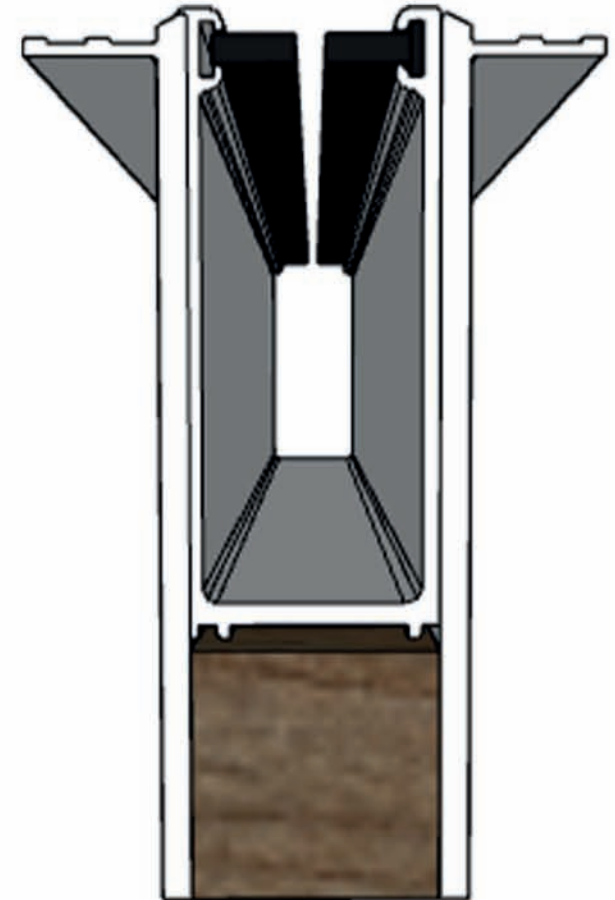


# Recessed Drapery Track Cavity

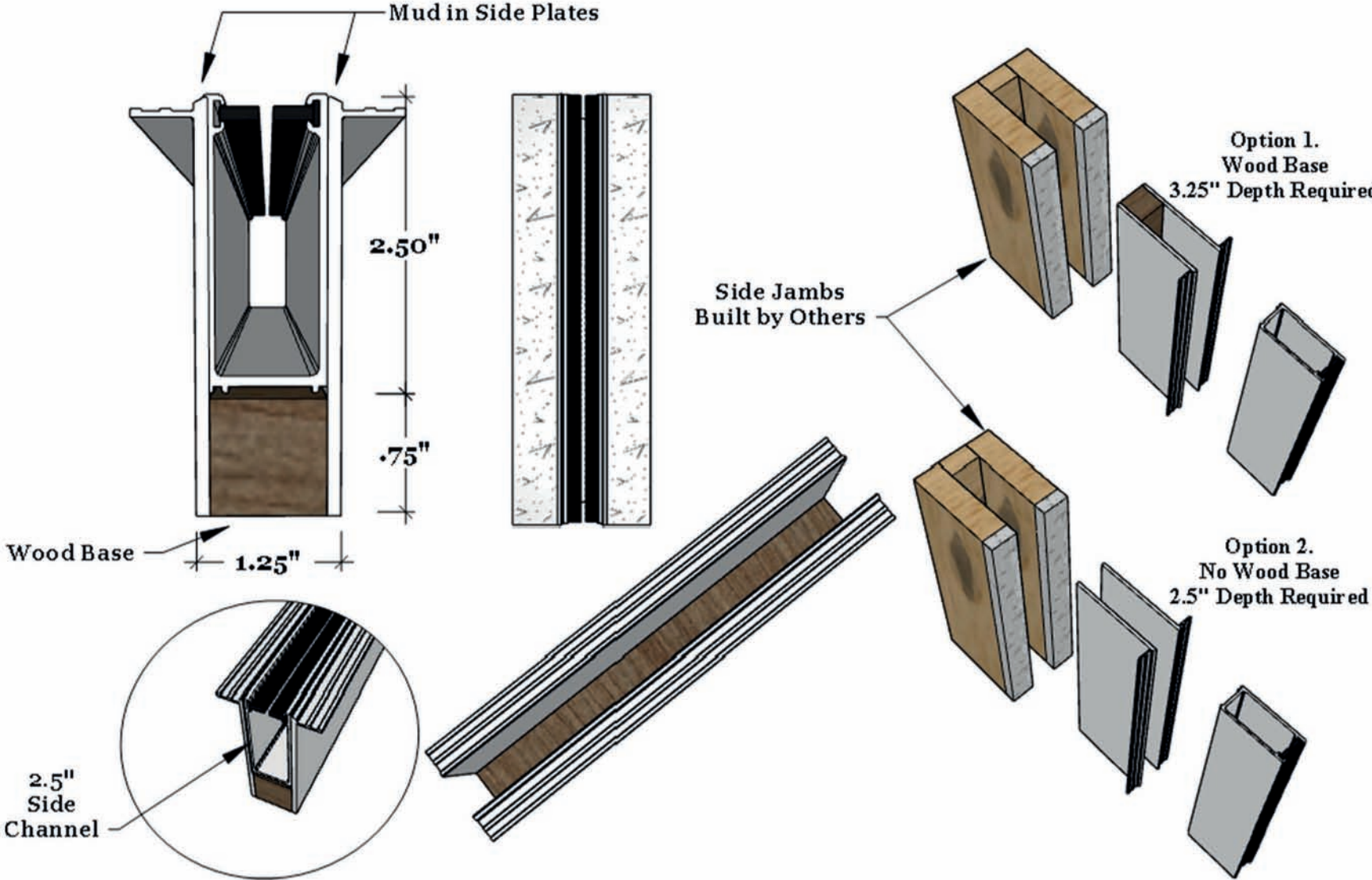


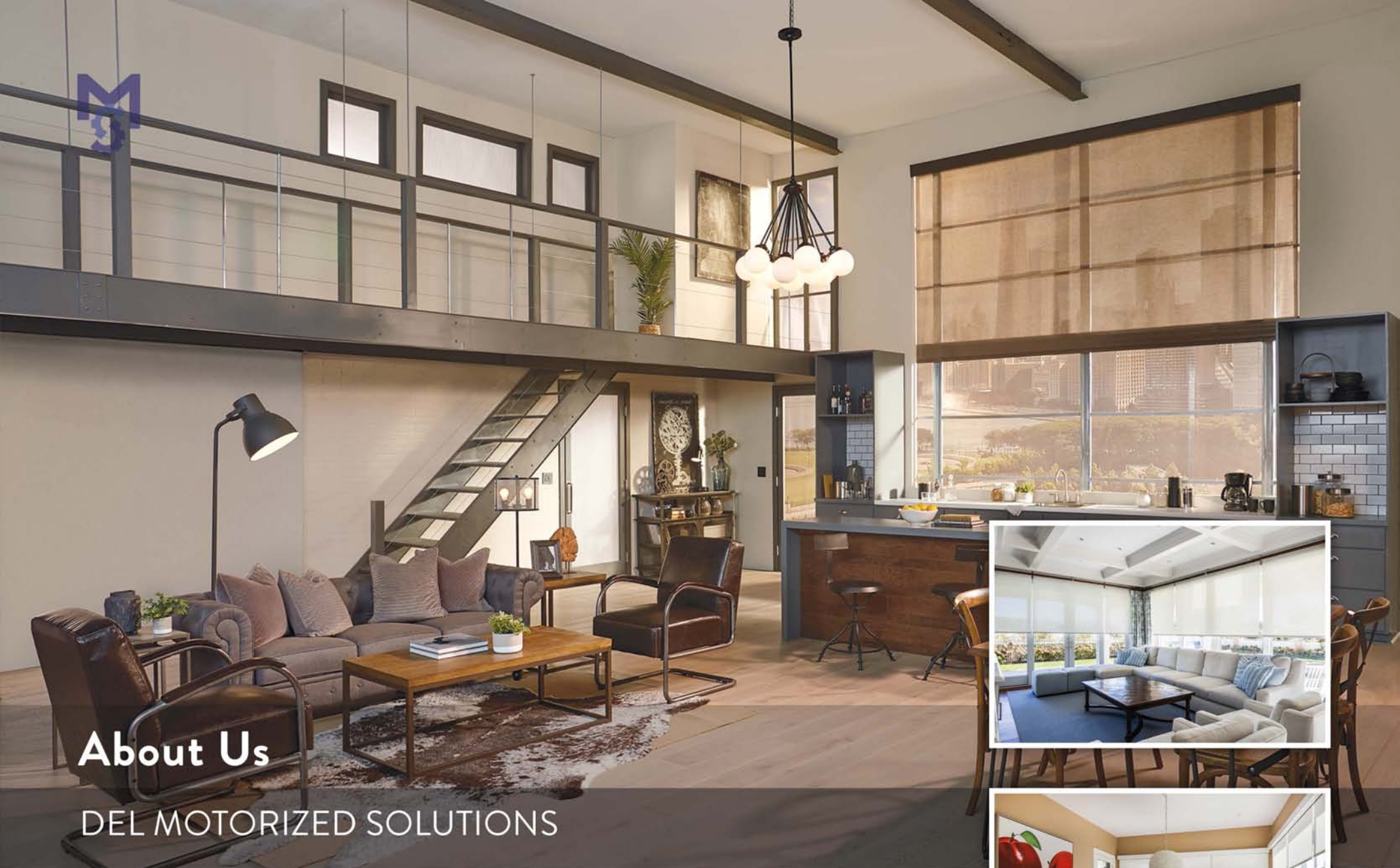
## A Mud in System For Concealing Side Channels

- 2.5" Depth ensures fabric retention
- Side channel inserts after drywall installation to eliminate construction debris damage.
- Conceals unsightly metal side channels from view



# Mud in Side Channel





# About Us

## DEL MOTORIZED SOLUTIONS

DEL Motorized Solutions is proud to offer the most innovative window treatments in the industry since 1976.

Founded in the 1940's as an exclusive custom upholstery company, we have the ingrained passion to perform each project with precision. Our strive for perfection has enabled us to become Lutron's premier residential dealer and the first window treatment dealer inducted into the Lutron Hall of Fame.





## Our MISSION

DEL Motorized Solutions is committed to providing our clients with the most innovative, high-quality automated window treatments in the industry, coupled with a superior customer service experience.

- We are guided by core values that are shared by every member of our team
- We are dedicated to building long-term client relationships
- We will help inspire, educate, and problem solve for our clients
- We value the trust our clients have placed in us and continuously strive to exceed their expectations

# PerfectFit

**M**otorized  
SOLUTIONS

Motorized Solutions®  
Toll Free: 866.446.6867  
[motorizedsolutions.com](http://motorizedsolutions.com)  
[info@motorizedsolutions.com](mailto:info@motorizedsolutions.com)

